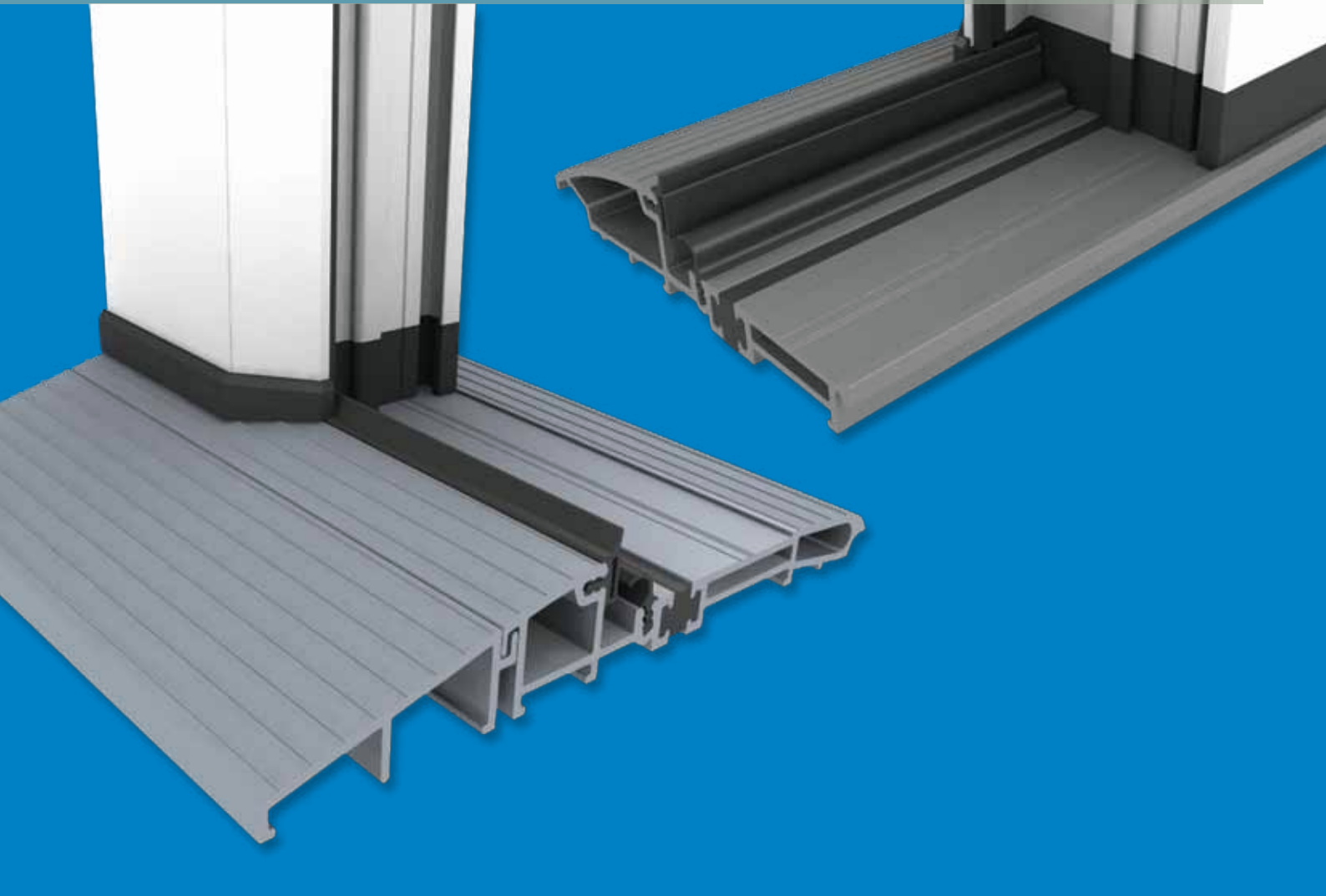


Low Threshold Kits

each kit will make 2 standard residential doors or one double door



Synseal's range of mobility easy access **Low Threshold door sills** are **Part M compliant** and are available in **open in** and **open out** options

shield 

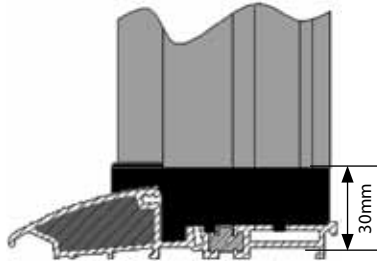
 synseal[®]

Tel: 01623 443200 www.synseal.co

Low Threshold Kits

each kit will make 2 standard residential doors or one double door

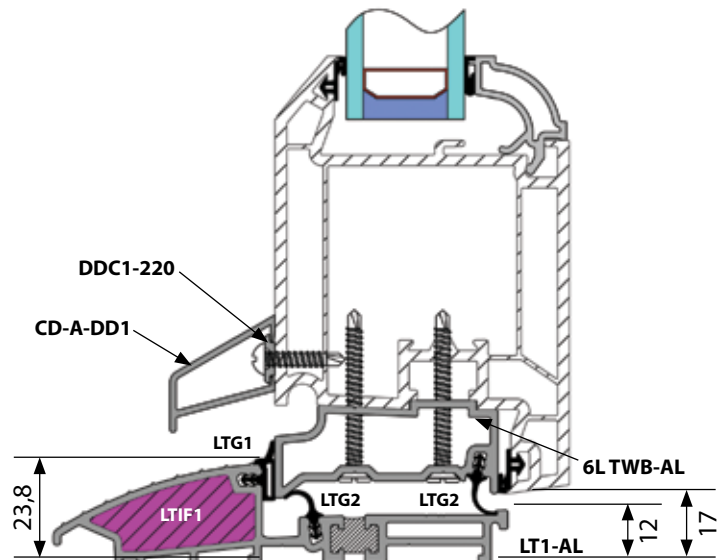
The low thresholds are robust and straight cut so no routing or end milling is required. Available in gold and silver.



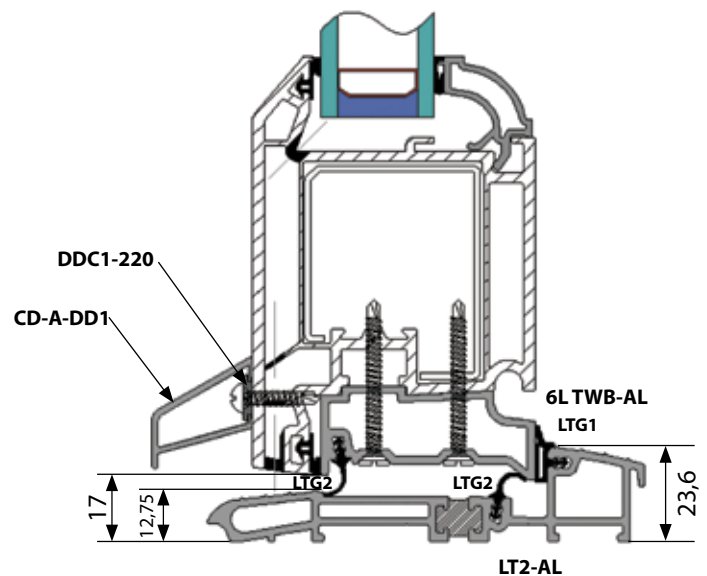
Straight cut - no routing or end milling.

Kit contents

- 1 x 2m long aluminium threshold (including pre-inserted gasket)
- 1 x 2m long aluminium weatherbar (seal carrier including pre-inserted gasket)
- 2 x sets of door jamb injection mouldings
- 2 x sets of weatherbar end caps
- 4 x foam sealing inserts (n/a outward opening door)



Inward opening door



Outward opening door

Ref No.	Description	Colour
<i>Inward opening door</i>		
LTK-SHISILV	Shield Low Threshold Kit	Silver
LTK-SHIGOLD	Shield Low Threshold Kit	Gold
<i>Outward opening door</i>		
LTK2-SHISILV	Shield Low Threshold Kit	Silver
LTK2-SHIGOLD	Shield Low Threshold Kit	Gold

For full technical data please contact us.



We reserve the right to alter specifications and descriptions without prior notice as part of our policy of continuous development. E&OE.

007JUN11/V1



Synseal Extrusions Ltd. Common Road, Huthwaite, Nottinghamshire, NG17 6AD

Tel: 01623 443200 www.synseal.co